
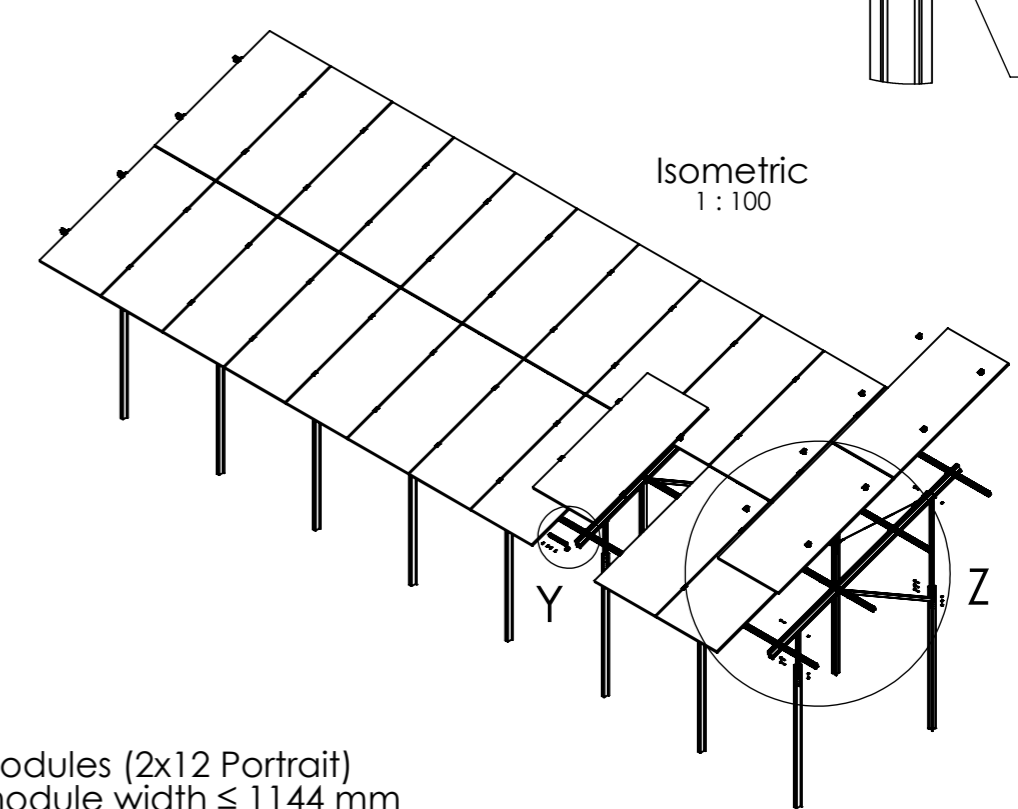
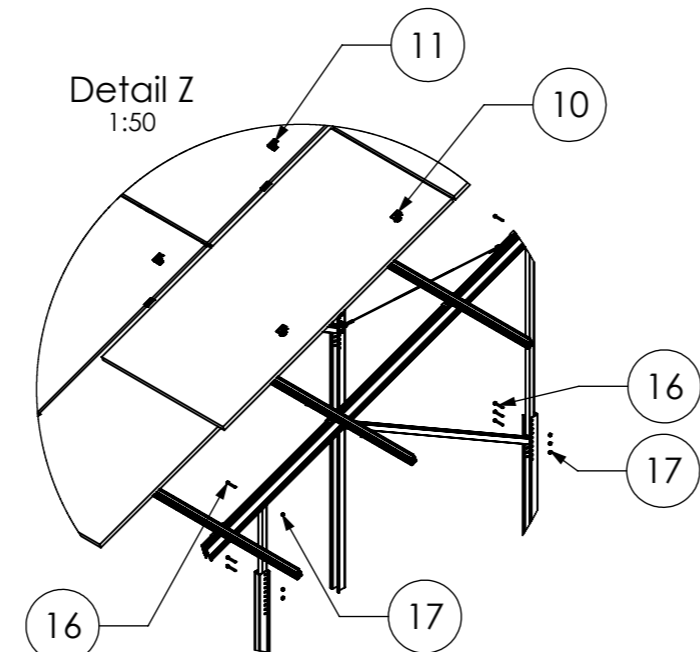
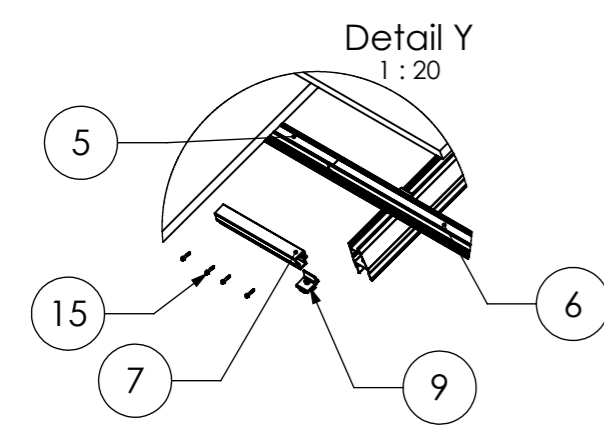
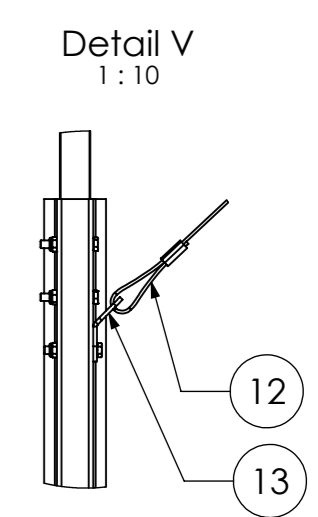
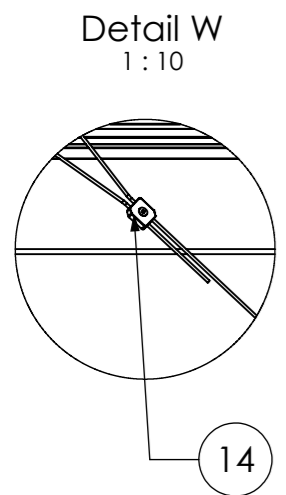
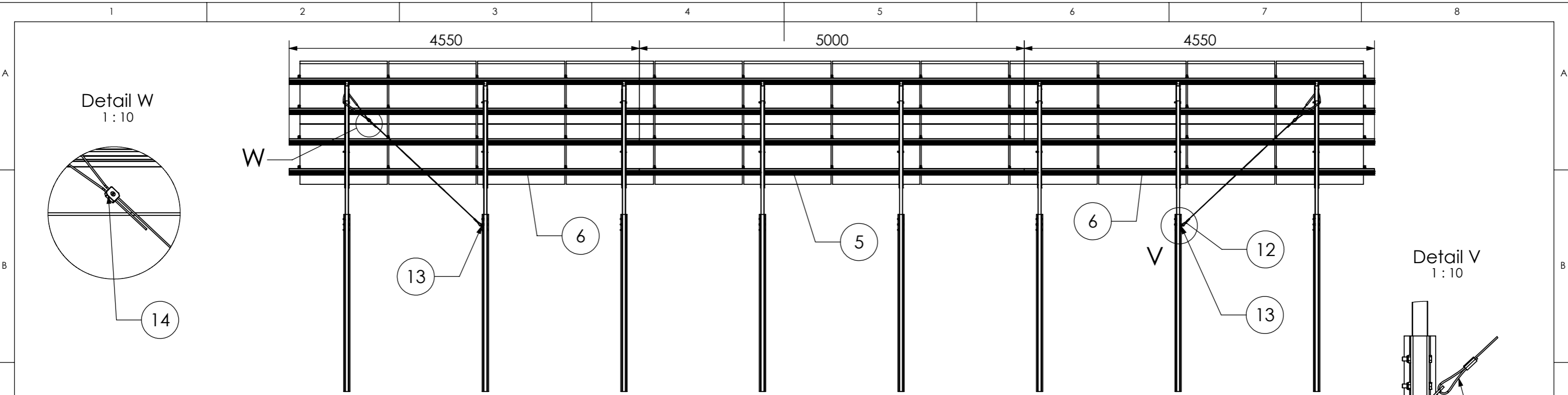


24 modules (2x12 Portrait)  
for module width ≤ 1144 mm

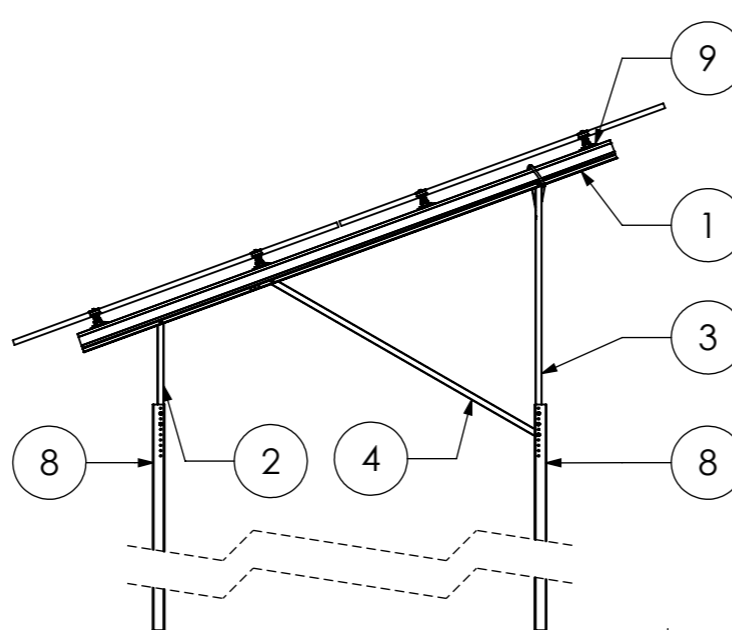
20 modules (2x10 Portrait)  
for module width 1144-1303 mm

Peak velocity  $q_p[z]$ : 0.67kN/m<sup>2</sup>  
Ground snow load  $S_k$ : 1.75kN/m<sup>2</sup>

	K2 Systems GmbH Haldenstr. 1 71272 Renningen Germany +49 7159 42059-0			Designation: <b>Data sheet</b> <b>N-Rack 2.20 Ramming Post Kit</b> <b>2x12 L</b>																		
	<table border="1"> <thead> <tr> <th>Name</th> <th>Date</th> <th>Material:</th> </tr> </thead> <tbody> <tr> <td>Designed C. Erb</td> <td>28.01.2026</td> <td>-</td> </tr> <tr> <td>Approved L. Kreemke</td> <td>16.03.2026</td> <td>Surface: -</td> </tr> <tr> <td>Last change</td> <td></td> <td>Weight: -</td> </tr> </tbody> </table>	Name	Date	Material:	Designed C. Erb	28.01.2026	-	Approved L. Kreemke	16.03.2026	Surface: -	Last change		Weight: -	<table border="1"> <thead> <tr> <th>Item no.:</th> <th>Scale:</th> </tr> </thead> <tbody> <tr> <td>-</td> <td>1:50</td> </tr> </tbody> </table>	Item no.:	Scale:	-	1:50	<table border="1"> <thead> <tr> <th>Sheet</th> <th>Page</th> </tr> </thead> <tbody> <tr> <td>A3</td> <td>1 of 1</td> </tr> </tbody> </table>	Sheet	Page	A3
Name	Date	Material:																				
Designed C. Erb	28.01.2026	-																				
Approved L. Kreemke	16.03.2026	Surface: -																				
Last change		Weight: -																				
Item no.:	Scale:																					
-	1:50																					
Sheet	Page																					
A3	1 of 1																					
This drawing is the sole property of K2 Systems GmbH. It is protected by copyright and may only be copied, reproduced or distributed to a third party with explicit permission!																						



Pos.No.	Designation
1	Beam N-Rack 3750
2	3-Hole Brace N-Rack 715
3	3-Hole Brace N-Rack 1625
4	2-Hole Brace N-Rack 2072
5	CrossRail 73 - 5 m
6	CrossRail 73 - 4,55 m
7	CrossRail 73 Connector
8	Cap-Profile N-Rack
9	Climber 36/50 Set
10	EC Clamp Set
11	MC Clamp Set
12	Gripple Bracing
13	Gripple Angle
14	Gripple Lock
15	Self-tapping screw 5,5 x 25 - A2
16	Hexagon head bolt - ISO 4014 - M10x70-A2-70
17	Hexagon nut with clamping piece - ISO 10511 - M10 - A2-70



24 modules (2x12 Portrait)  
for module width ≤ 1144 mm

20 modules (2x10 Portrait)  
for module width 1144-1303 mm

Peak velocity  $q_p[z]$ : 0.67kN/m<sup>2</sup>  
Ground snow load  $S_k$ : 1.75kN/m<sup>2</sup>

	K2 Systems GmbH Haldenstr. 1 71272 Renningen Germany +49 7159 42059-0			Designation: <b>Data sheet</b> <b>N-Rack 2.20 Ramming Post</b> <b>Kit 2x12 L</b>																					
	<table border="1"> <tr><td>Name</td><td>Date</td><td>Material:</td></tr> <tr><td>Designed C. Erb</td><td>28.01.2026</td><td>-</td></tr> <tr><td>Approved L. Kreemke</td><td>16.03.2026</td><td>Surface: -</td></tr> <tr><td>Last change</td><td></td><td>Weight: -</td></tr> </table>	Name	Date	Material:	Designed C. Erb	28.01.2026	-	Approved L. Kreemke	16.03.2026	Surface: -	Last change		Weight: -	<table border="1"> <tr><td>Item no.:</td><td>-</td><td>A3</td></tr> <tr><td>Drawing no.:</td><td>-</td><td>All dimensions in mm</td></tr> <tr><td>Scale:</td><td>1:50</td><td>Sheet 1 of 1</td></tr> </table>	Item no.:	-	A3	Drawing no.:	-	All dimensions in mm	Scale:	1:50	Sheet 1 of 1	This drawing is the sole property of K2 Systems GmbH. It is protected by copyright and may only be copied, reproduced or distributed to a third party with explicit permission!	
Name	Date	Material:																							
Designed C. Erb	28.01.2026	-																							
Approved L. Kreemke	16.03.2026	Surface: -																							
Last change		Weight: -																							
Item no.:	-	A3																							
Drawing no.:	-	All dimensions in mm																							
Scale:	1:50	Sheet 1 of 1																							